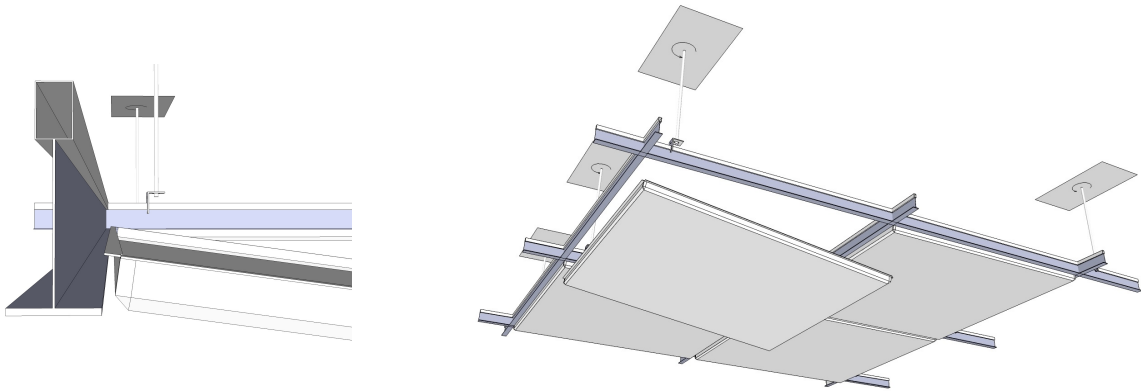


## Step 1

The panels should be placed in the spaces between the profiles. To mount the panels, slide them at an angle and rest them on the T shaped structure, as shown in the detailed view above.



## Step 2

Proceed with placing the remaining panels.

